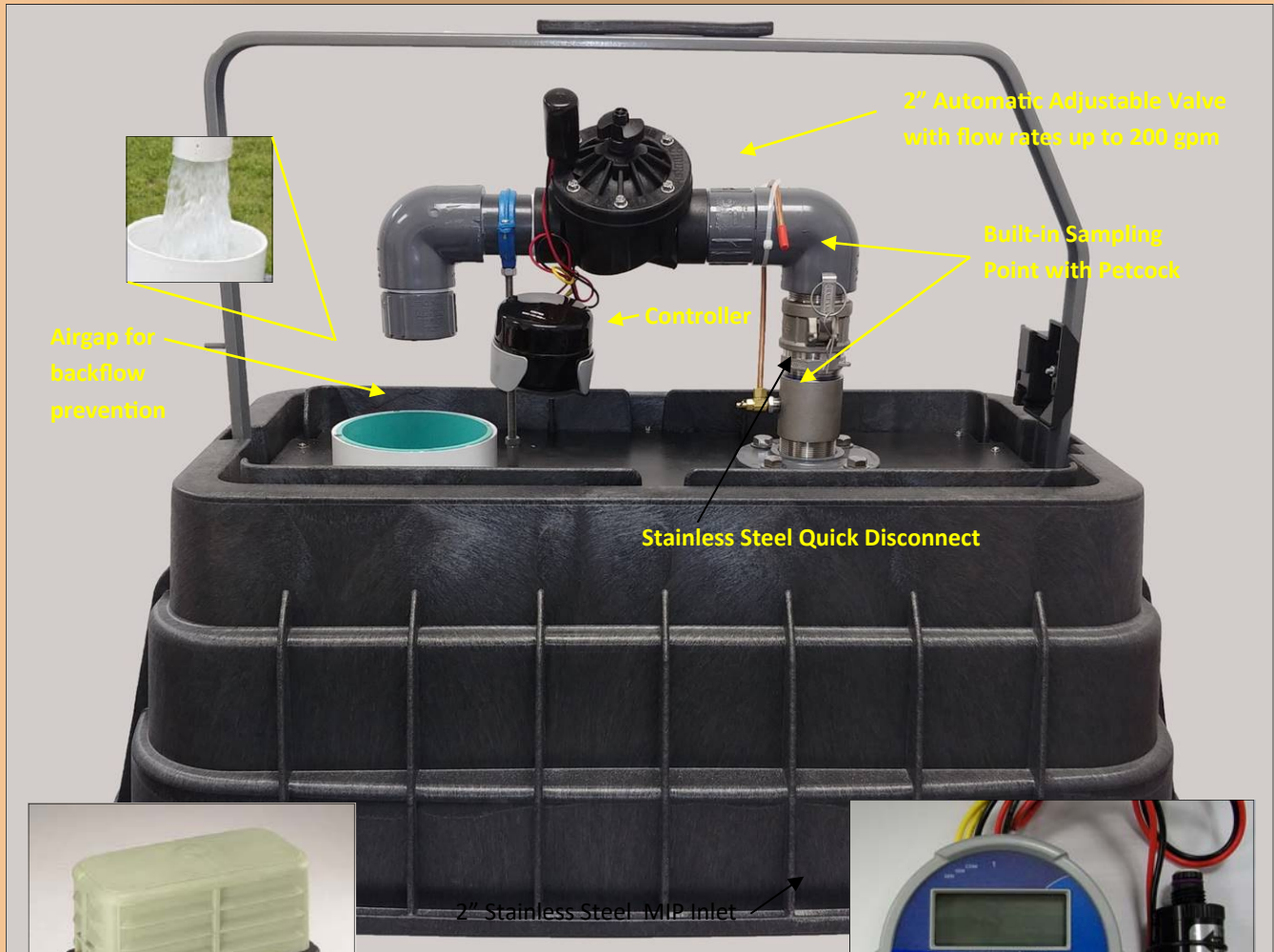




Eclipse #9800WC

Automatic Flushing Station

For Warm Climates



Airgap for backflow prevention

2" Automatic Adjustable Valve with flow rates up to 200 gpm

Built-in Sampling Point with Petcock

Controller

Stainless Steel Quick Disconnect

2" Stainless Steel MIP Inlet



UV Resistant Lockable Enclosure



Digital Controller Allows up to 12 Flushing Cycles per day, up to 6 hours per cycle. Operates on two 9-volt batteries

CONTACT US
www.hydrants.com
1-800-231-3990



All About Kupferle

ECLIPSE™

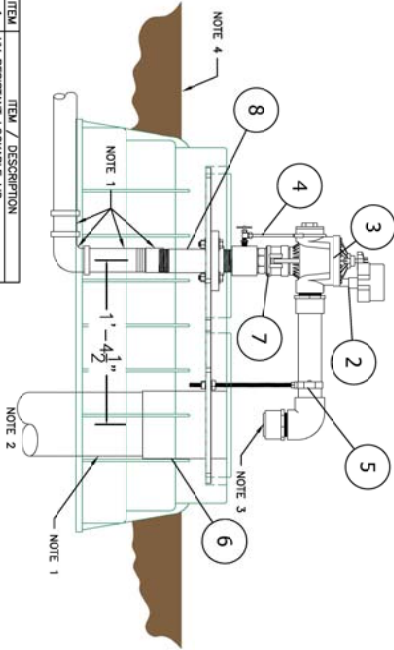
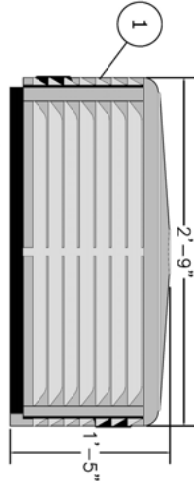


See Product Video at:
www.hydrants.com



Automatically flushes old, aging water from water main dead-ends to improve and maintain water quality, reduce customer complaints and keep water systems in compliance with EPA minimal residual requirements and the Stage II Disinfectant Byproduct Rule.

#9800WC AUTOMATIC FLUSHING DEVICE



ITEM	ITEM / DESCRIPTION
1	UV RESISTANT LOCKABLE LID
2	DC LATCHING SOLENOID
3	2" PSY VALVE
4	SAMPLING VALVE AND LINE
5	2" PIPE CLAMP
6	SEWER PIPE CONNECTION
7	2" S.S. QUICK DISCONNECT
8	6" OF 2" S.S. PIPE

- NOTES:
- 1) PRING BY OTHERS
 - 2) KUPFERLE RECOMMENDS THE INSTALLATION OF A PEE TAP[®] ON THE DRINK PART OF THE HYDRANT
 - 3) SEE DIFFUSER VIEW FOR ADDITIONAL DETAIL
 - 4) GROUND LINE MAY VARY

A 2" stainless steel M.L.P. inlet shall lead vertically to the bottom of a 2" automatic flushing valve. The flushing valve shall control the flow of water through the hydrant and its diaphragm with the extension and retraction of a DC latching solenoid and have a 150 PSI rating. Each unit shall be furnished with a stand-alone valve controller. The valve controller will not require a second hand-held device for programming. Controller shall have minimum of 12 possible flushing cycles per day. Controller shall be submersible to 12 feet, and operate with a 9 volt battery, and have resin-sealed electrical components. The solenoid shall have no loose parts when removed from the valve.

Removal of the 2" valve shall be possible via a pair of above-ground stainless steel quick disconnects to allow for easy maintenance/replacement of all operating part of the hydrant.

Each unit shall have an all stainless steel or brass sampling point located on the hydrant before the 2" flushing valve.

Unit shall have the option of adding a siphone style dechlorination tablet feeder inline with the drain pipe.

Valve assembly shall be housed in a UV-Resistant lockable enclosure with a removable cover.

Unit model # shall be 9800WC as manufactured by Kupperle Foundry Company, St. Louis MO, or approved equal.



1 DISCHARGE NOZZLE
Scale: 6"=1'-0"

#9800WC AUTOMATIC FLUSHING DEVICE TO BE INSTALLED AT THE FOLLOWING LOCATIONS:

DD/MM/YY	ISSUED FOR REFERENCE
	STATUS / REVISION

SHEET	1 OF 1	SCALE	1/2"=1'-1"
9800WC SPEC SHEET			

DATE: 04/28/17
 APPROVED: [Signature]
 KNOWN: [Signature]

2511 NORTH 9TH STREET
 ST. LOUIS, MO 63102
 1-800-231-3990
 FAX 314-231-2820
 www.hydrants.com



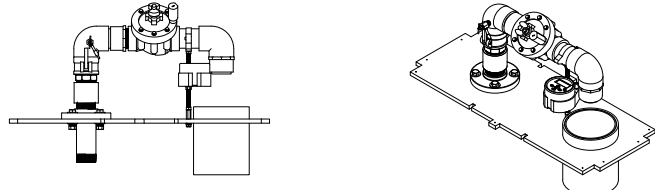
2511 North 9th Street
 St. Louis, MO 63102
800-231-3990
www.hydrants.com
info@hydrants.com



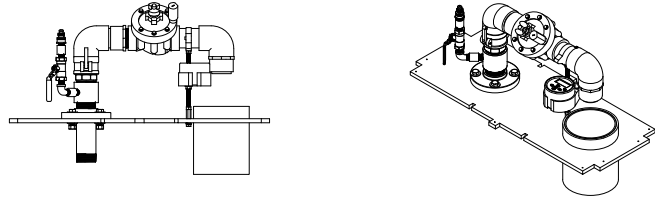
Distributed by

#9800WC AUTOMATIC FLUSHING STATION SPEC SHEET

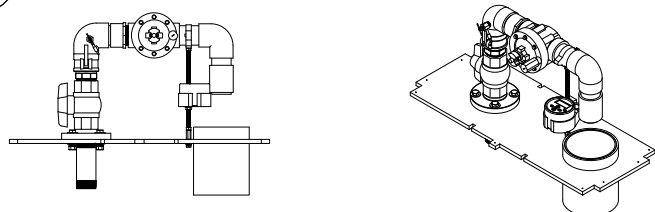
GENERAL HYDRANT SPECIFICATIONS	
MAXIMUM OPERATING PRESSURE:	220 PSI
HYDRANT MATERIALS:	303, 316, AND 18-8 STAINLESS STEEL, SCH. 80 PVC
ENCLOSURE MATERIAL:	UV RESISTANT PLASTIC
ENCLOSURE COLOR:	BLACK BASE WITH GREEN LID
WETTED MATERIALS:	SCH. 80 PVC, TEFLON, EPDM, 316 S.S.
DEPTH OF BURY:	1'
WEIGHT:	~30 LBS



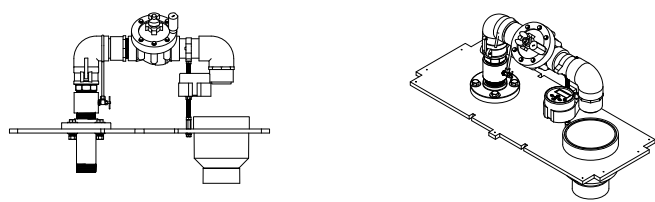
A 9800WC w/ PETCOCK OPTION VIEWS
Scale: 1/2"=1'



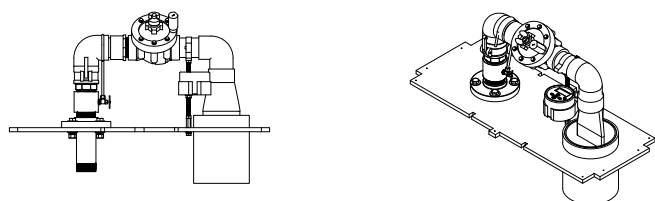
B 9800WC w/ 92-V OPTION VIEWS
Scale: 1/2"=1'



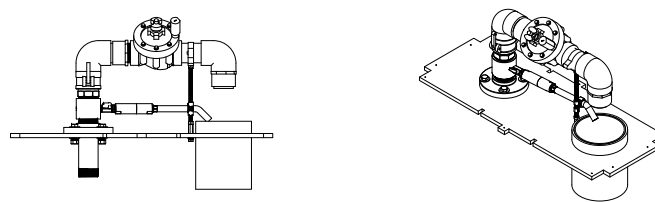
C 9800WC w/ BALL VALVE OPTION VIEWS
Scale: 1/2"=1'



D 9800WC w/ DRAIN REDUCER OPTION VIEWS
Scale: 1/2"=1'



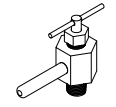
E 9800WC w/ DUCKBILL OPTION VIEWS
Scale: 1/2"=1'



I 9800WC w/ ANTI FREEZE VALVE OPTION VIEWS
Scale: 1/2"=1'



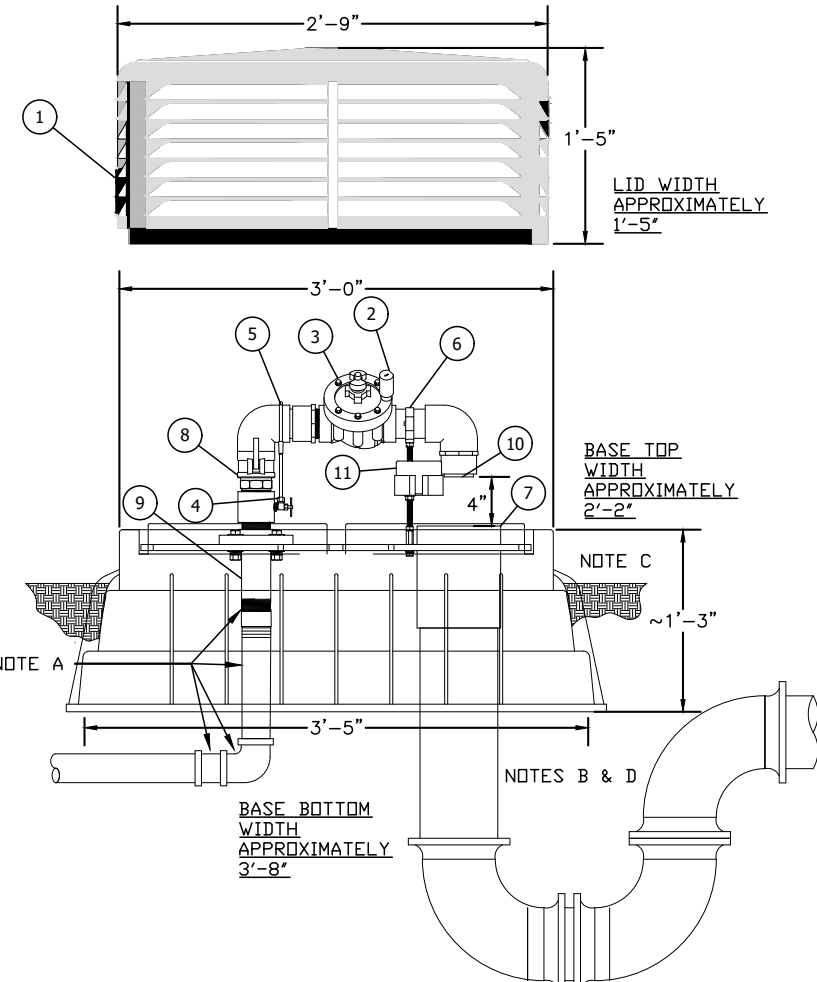
F STREAM SHAPER VIEW
Scale: 3"=1'



G PETCOCK VIEW
Scale: 3"=1'



H 92-V VIEW
Scale: 1-1/2"=1'



1 #9800WC STANDARD INSTALL VIEW
Scale: 3"=1'

Automatic Product Ordering Guide													
MODEL#	9800	-	WC	-	0	-	A	-	X	-	A	-	X
SUBSECTION	1		2		3		4		5		6		7
SUBSECTION DESCRIPTION	MODEL #	SUBSECTION	OPTIONS	DESCRIPTIONS									
MODEL	1		9800	AUTOMATIC FLUSHING DEVICE									
CLIMATE	2		WC	WARM CLIMATES									
DEPTH OF BURY	3		0.0	X.X = FEET DEPTH OF BURY. ENTER # IN FEET AND INCLUDE INCHES. ROUND TO NEAREST 0.5 FOOT.									
SAMPLING OPTIONS	4		A	1/4" COPPER GOOSENECK									
			B	STAINLESS STEEL PETCOCK									
			C	92-V SAMPLING VALVE									
ABOVE GRADE BALL VALVE	5		X	NONE									
			A	BALL VALVE									
OUTLET OPTIONS	6		A	6" SEWER PIPE COUPLING									
			B	6" X 4" SEWER PIPE REDUCER									
			C	2" DUCKBILL VALVE									
			D	6" SDR 35 x PVC SCH 40 COUPLING									
			E	S.S. TEMPERATURE ACTIVATED WATER RELIEF VALVE									
DECHLORINATION	7		X	NONE									
			A	SYPHON STYLE									
			B	OUTLET BASKET									
	C	IN-LINE BASKET											

ITEM	DESCRIPTION	NOTES
1	UV RESISTANT LOCKABLE LID	
2	DC LATCHING SOLENOID	
3	2" AUTOMATIC FLUSHING VALVE	
4	BRASS NEEDLE VALVE	
5	1/4" COPPER TUBING	
6	2" PIPE CLAMP	
7	6" SEWER PIPE OUTLET	
8	2" S.S. QUICK DISCONNECTS	
9	2" MIP INLET	
10	STREAM SHAPER	
11	VALVE CONTROLLER	

Automatic Flushing Station (AFS) shall be installed in the following location(s): _____

Automatic flushing station shall have a 2" stainless steel MIP inlet that will lead vertically through a pair of stainless steel quick disconnects to the 2" automatic flushing valve. The flushing valve shall control the flow of the water through the hydrant and its diaphragm with the extension and retraction of a DC latching solenoid. The valve shall have a 220 PSI rating. All flushed water shall be directed via a stream shaper to reduce the residual water spray in the enclosure.

Each unit shall be furnished with a stand alone valve controller. The valve controller will not require a second hand-held device for programming. Controller must have a minimum of 12 possible flushing cycles per day. Controller shall be submersible up to 12 feet, operate with two 9 volt batteries, and have resin sealed electrical components. The solenoid shall have no loose parts when removed from the valve.

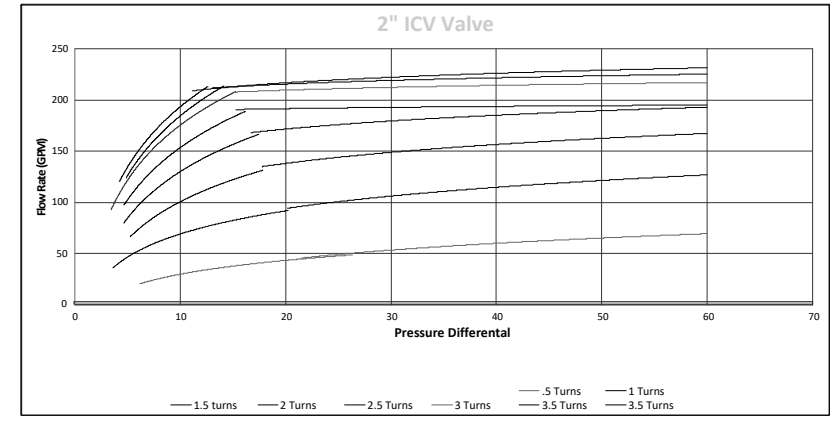
The removal of the 2" valve shall be possible via a pair of above-ground stainless steel quick disconnects to allow for easy removal of all the operating parts of the hydrant. The flushing valve shall be installed at 45° to allow the removal of the solenoid and cap for routine maintenance purposes.

Each unit shall have a dedicated sampling point on the hydrant located before the 2" flushing valve.

Unit shall allow for the installation of dechlorination options.

Valve assembly shall be housed in a UV resistant lockable enclosure with a removable cover.

Unit model # shall be 9800WC as specified in the product ordering guide as manufactured by Kupferle Foundry Company, St. Louis MO, or approved equal.



NOTES	
A	PIPING BY OTHERS
B	KUPFERLE RECOMMENDS THE INSTALLATION OF A PEE TRAP ON THE DRAIN PART OF THE HYDRANT.
C	GROUND LINE MAY VARY
D	DRAIN TO BE DESIGNED TO HANDLE FULL FLOW APPROPRIATELY, UNDERSIZED OUTLET MAY RESULT IN RESIDUAL SPLASHING

	INITIALS	DATE
DRAWN	SMS	10/1/18
APPROVED	DCL	10/4/18
MODIFIED	ADC	2/20/23
SHEET SIZE	SCALE VARIES	
B (11x17)		

2511 NORTH 9TH STREET
ST. LOUIS, MO 63102
1-800-231-3990
FAX 314-231-2820
www.hydrants.com

DATE	STATUS / REVISION

PATENTED

PATENTED

9800WC CUT SHEET

PARTS LIST

ITEM	QTY	PART NUMBER	DESCRIPTION	NOTES
1	2	1/2WSS	1/2" S.S. FLAT WASHER	
2	1	1/4 X 1/8SHB	1/4" x 1/8" S.S. HEX BUSHING	
3	1	2PVCC	2" SCH. 80 PVC COUPLING	
4	9,000 in	2PVCP	2" SCH 80 PVC THREAD ONE SIDE	
5	1	2QD-BSS	2" S.S. "B" QUICK DISCONNECT	C
6	1	2QD-FSS	2" S.S. "F" QUICK DISCONNECT	C
7	1	344-B	COUPLING NUT BOLT	
8	4	628A-B-SS	S.S. BOLT FOR THREADED FLANGE	
9	4	629A-N-SS	S.S. NUT FOR THREADED FLANGE BOLT	
10	1	66S01	PETCOCK BODY	P
11	1	66S02	PETCOCK NUT	P
12	1	66S03	PETCOCK PLUNGER	P
13	1	66S04	HANDLE PIN	P
14	1	66S05	PETCOCK NOZZLE	P
15	1	66S08	O-RING (PETCOCK PACKING NUT)	P
16	1	66S10	O-RING (PETCOCK STEM)	P
17	1	66S22	PETCOCK CAP	C/P
18	4	7629	S.S. LOCK WASHER FOR THREAD FLANGE BOLT	
19	2	77Q-9400	HEX NUT FOR ROD	
20	1	9407	2" SCH. 80 PVC ADAPTER	
21	1	9433	SOLENOID COVER	
22	1	9434	CONTROLLER COVER BUTTON	C
23	1	9440	2" SCH. 80 PVC THREADED FLANGE	
24	1	9461	S.S. LOCK WASHER	
25	1	9515	2" ICV VALVE	C
26	1	9517	VALVE CONTROLLER	C
27	1	9518	CONTROLLER BATTERY	
28	1	9801	FLOOR FOR 9800WC	C
29	1	9802	6" SCH. 40 PVC COUPLING	
30	1	9803	6" SCH. 35 PVC SEWER PIPE	A
31	2	9804	2" SCH. 80 PVC 90° GLUE x THREAD	
32	1	9805	2" PIPE CLAMP	C
33	12 in	9806	3/8" S.S. THREADED ROD	
34	14	9810	FLOOR SCREW	
35	1	9812	KEY FOR DOGHOUSE	C
36	0.75 ft	9813	2" S.S. PIPE	
37	1	9821	S.S. SCREW FOR 9805 CLAMP	C
38	1.500 in	9830	STREAM SHAPER	
39	1	9831	S.S. COUPLING NUT	
41	1	DOGHOUSE	UV RESISTANT ENCLOSURE	C
42	1	HV458200	SOLENOID	

OPTIONAL/REPAIR PARTS LIST

ITEM	QTY	PART NUMBER	DESCRIPTION	NOTES
43		9815	DECHLORINATION BASKET	C
44		9530	BLUETOOTH CONTROLLER	A,C

ICV PARTS LIST (6 BOLTS)

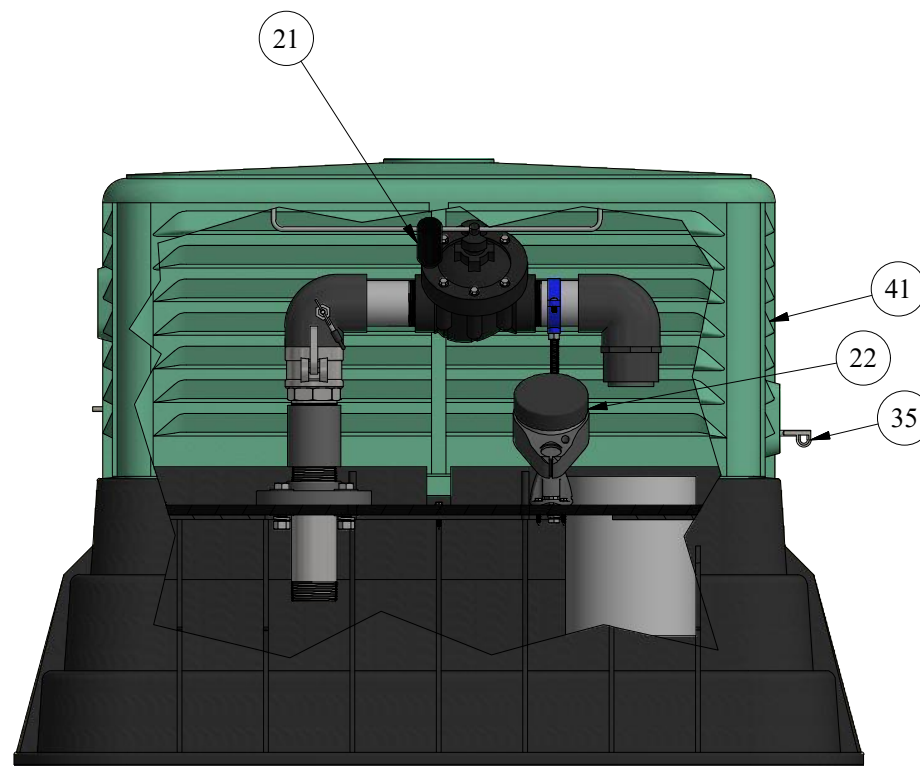
ITEM	QTY	PART NUMBER	DESCRIPTION	NOTES
45		HV365400	9515 VALVE SPRING	A,C
46		HV365500	9515 VALVE BODY	A,C
47		HV365900	9515 DIAPHRAGM SUPPORT	A,C
48		HV366700	9515 BONNET BOLT	A,C
49		HV371600	9515 E-CLIP RETAINER	A,C
50		HV374500	9515 DIAPHRAGM ASSEMBLY	A,C
51		HV380600	9515 BONNET	A,C
52		HV560800	9515 FLOW CONTROL ASSEMBLY	A,C
53		HV561200	9515 FLOW CONTROL KNOB	A,C
54		HV561500	9515/9516 BLEED SCREW	A,C

PGV REPAIR PARTS LIST (12 BOLTS)

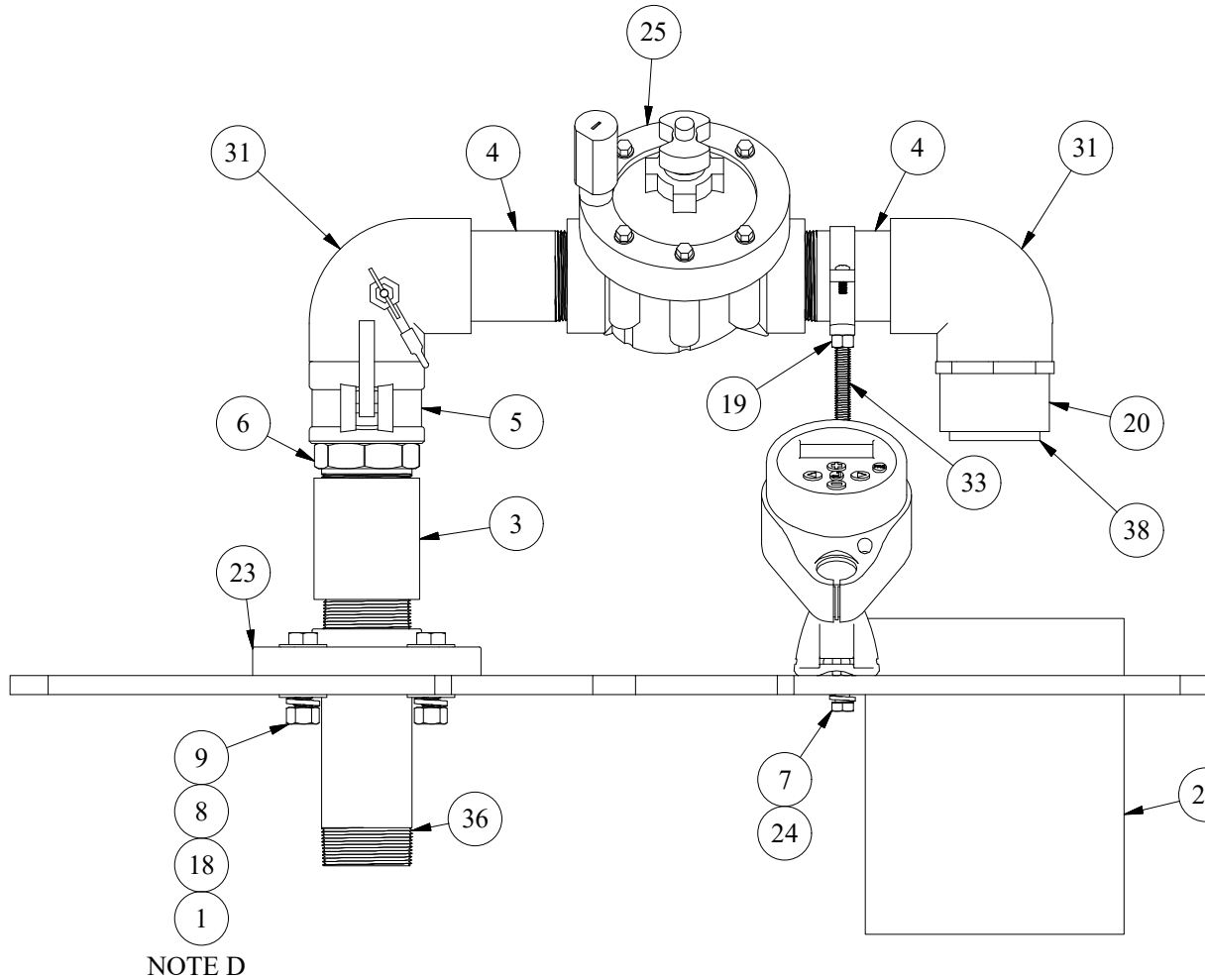
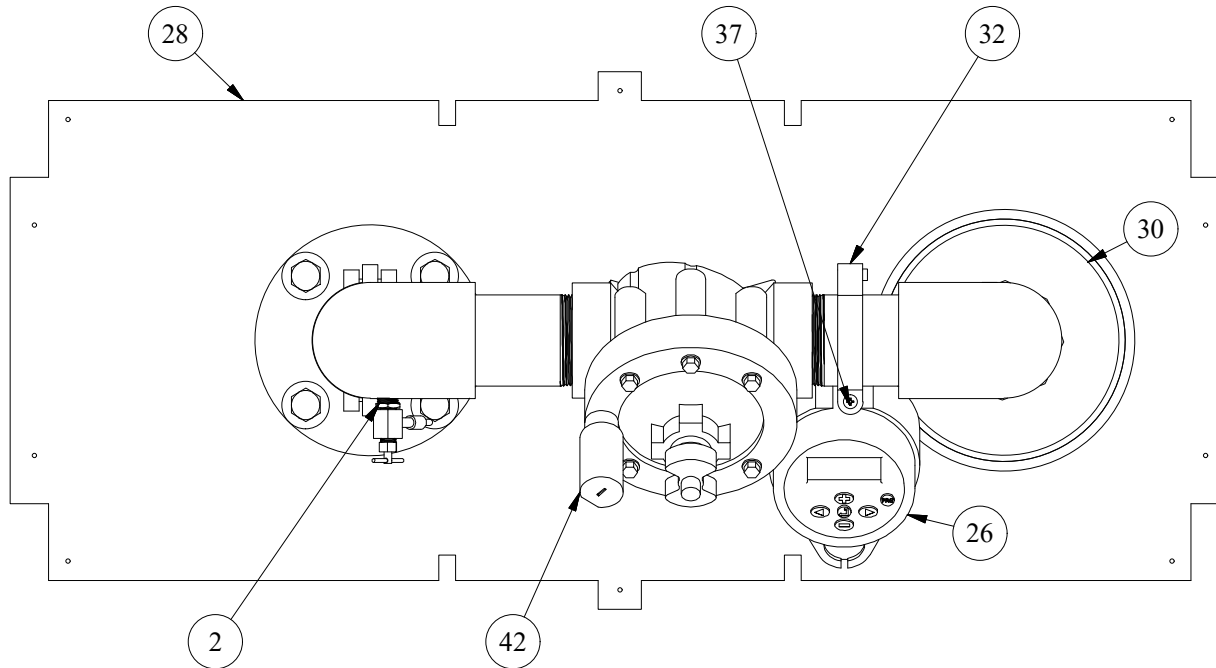
ITEM	QTY	PART NUMBER	DESCRIPTION	NOTES
55		9516	2" PGV VALVE	C
56		HV412700	9516 FLOW CONTROL HANDLE	A,C
57		HV414200	9516 VALVE SPRING	A,C
58		HV414600	9516 FLOW CONTROL ASSEMBLY	A,C
59		HV419300	BODY PLUG	A,C
60		HV415400	VALVE PLUG O-RING	A,C
61		HV433300	9516 VALVE BODY	A,C
62		HV414800	9516 DIAPHRAGM SUPPORT	A,C
63		HV472800	9516 BONNET SCREW	A,C
64		HV415500	9516 BONNET	A,C
65		HV415600	9516 DIAPHRAGM ASSEMBLY	A,C
66		HV561500	9515/9516 BLEED SCREW	A,C

OLD STYLE REPAIR KITS

PART NUMBER	DESCRIPTION	PARTS INCLUDED
X9800WC-UPPER	9800WC UPPER ASSEMBLY COMPLETE	2QD-BSS QUICK DISCONNECT (1), 9516 2" PVG VALVE (1), 9517 CONTROLLER (1), 9518 BATTERY (2), 9434 COVER (1), 9407 ADAPTER (2), 2PVCP PIPE (1), 9804 ELBOW (1), 9830 DIFFUSER (1)
X9800WC-UP-PVC	9800WC UPPER ASSEMBLY COMPLETE	9407 ADAPTER (2), 2PVCP PIPE (1), 9804 ELBOW (1), 9830 DIFFUSER (1)
X415500	BONNET COMPLETE	HV415500 BONNET (1), HV412700 KNOB (1) HV41500 BLEED SCREW (1), HV414600 FLOW CONTROL (1)

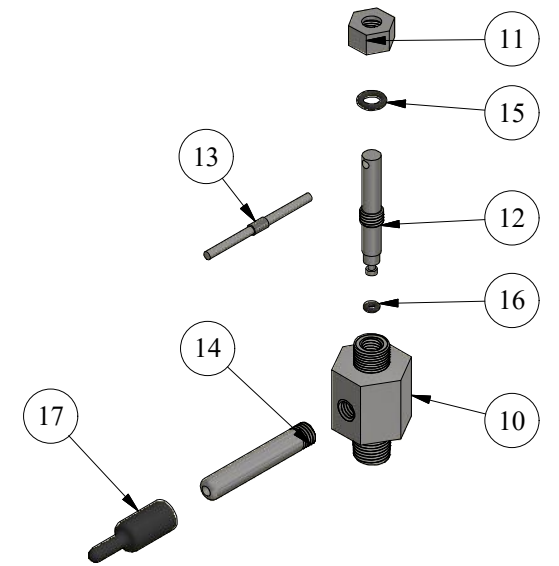


UV RESISTANT ENCLOSURE
(NOT TO SCALE)

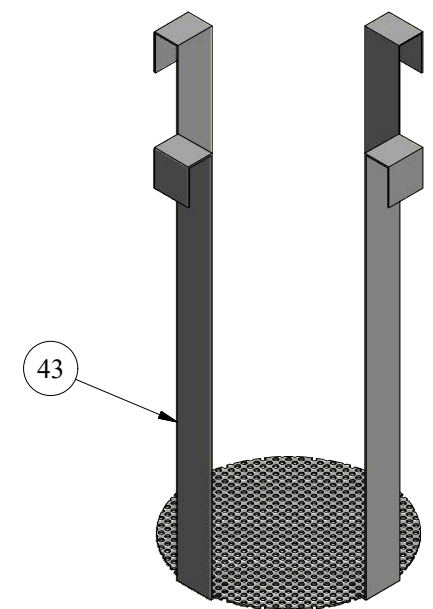


NOTE D

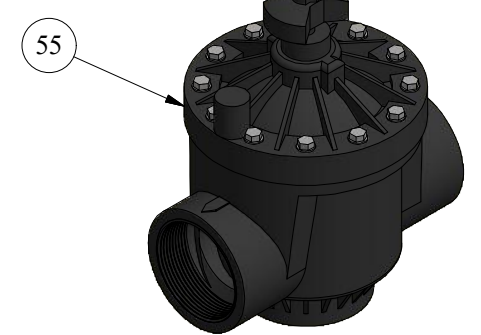
PETCOCK ASSEMBLY



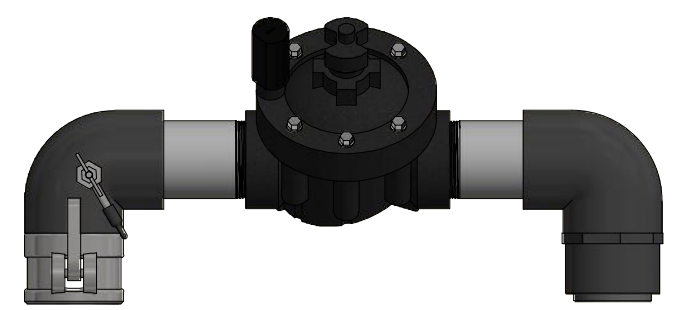
OPTIONAL 9815 DECHLORE BASKET



9516 PGV VALVE



X9800WC-UPPER ASSEMBLY



REPAIR KITS

PART NUMBER	DESCRIPTION	PARTS INCLUDED
X9800WC-UPPER	9800WC UPPER ASSEMBLY COMPLETE	2QD-BSS QUICK DISCONNECT (1), 9804 ELBOW (2), X9800WC-SAMPLING (1), 9515 VALVE (1), 2PVCP PIPE (0.75), X9800-AERATOR (1)
X9800-AERATOR	9800 AERATOR ASSEMBLY	9407 PVC ADAPTER (1), 9830 AERATOR (1)
X9517	CONTROLLER WITH BATTERY	9517 CONTROLLER (1), 9518 BATTERY (2), 9434 COVER (1), HV458200 SOLENOID (1)
X380600	9515 BONNET COMPLETE	HV380600 BONNET (1), HV561200 KNOB (1), HV561500 BLEED SCREW (1), HV37160 E-CLIP (1), HV560800 FLOW CONTROL (1)
X66-PETCOCK	S.S. PETCOCK ASSEMBLY	66S01 BODY (1), 66S08 O-RING (1), 66S02 NUT(1), 66S03 O-RING (1), 66S04 PIN (1), 66S05 NOZZLE (1), 66S22 CAP (1)
Z9800WC-BLUETOOTH	BLUETOOTH CONTROLLER ASSEMBLY	9530 BLUETOOTH CONTROLLER (1), HV458200 (1) (PRECONNECTED), 9531 BATTERY FOR BLUETOOTH (2)
X9800WC-SAMPLING	9800WC SAMPLING POINT COMPLETE	1/4 X 1/8SHB BUSHING (1), X66-PETCOCK (1)
X9517	CONTROLLER WITH BATTERY FOR 9800WC	9517 CONTROLLER (1), 9518 BATTERY (2), 9434 COVER (1), HV458200 SOLENOID (1)

LEGEND

- (X) → STANDARD TAG
- (X/Y) → TAG WITH Y QUANTITY

DRAWN	SMS	4/18/2017
CHECKED	DCL	8/2/2017
MODIFIED	KJW	07/08/2021
SIZE	C	SCALE
		1 / 4
DWG NO	#9800WC Cut_Rev3.1	



SHEET	1 OF 1	REV	3.1
-------	--------	-----	-----

DISCLAIMER

THIS DRAWING IS THE PROPERTY OF THE KUPFERLE FOUNDRY COMPANY. IT IS NOT TO BE USED OR DUPLICATED WITHOUT THE PERMISSION OF THE OWNER.